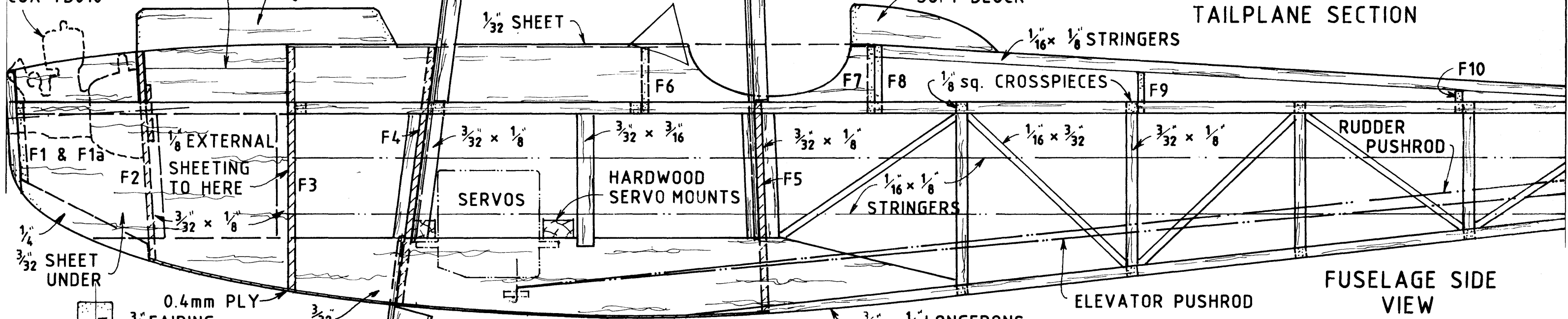


MICRO-BARNSTORMER

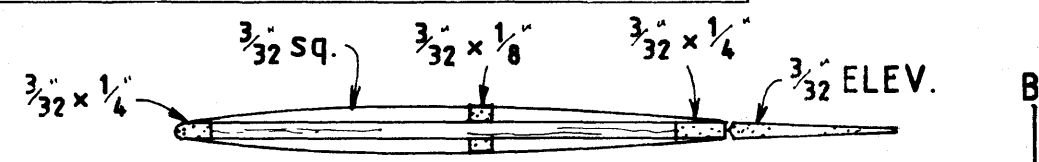
29" SPAN INDOOR R/C MODEL FOR 010 ENGINES & TWO FUNCTION RADIO.

PRESENTED FREE WITH DEC. '93 ISSUE OF RADIO CONTROL MODELS & ELECTRONICS MAGAZINE. DESIGNED BY DAVE BODDINGTON.

COX TD010 SOFT BLOCK

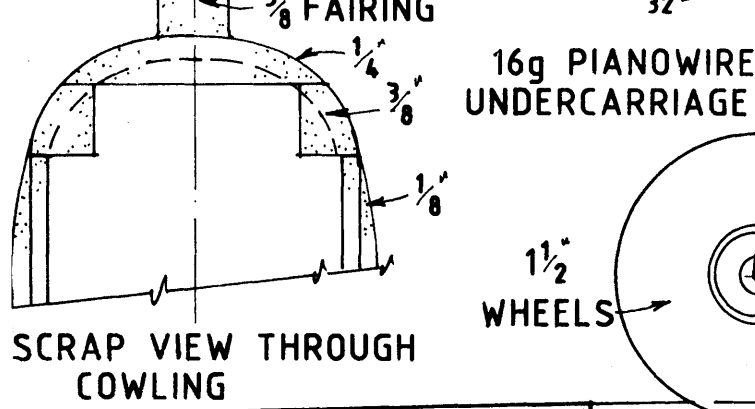


TAILPLANE SECTION



FUSELAGE SIDE VIEW

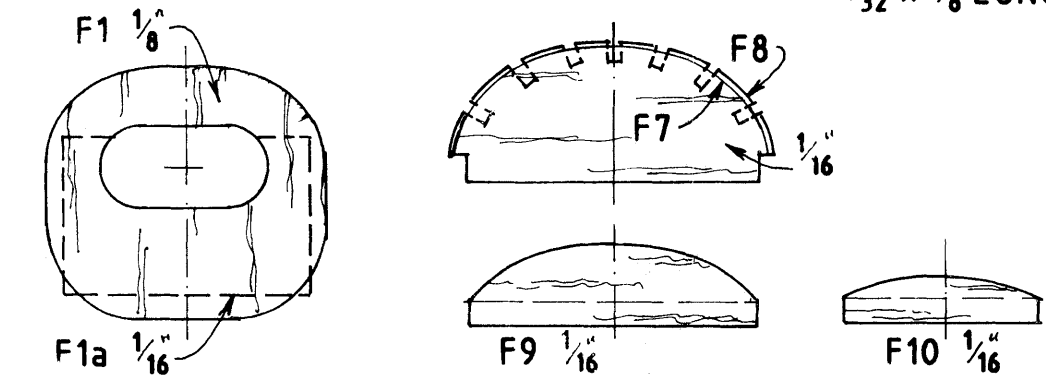
0.4mm PLY



SCRAP VIEW THROUGH COWLING

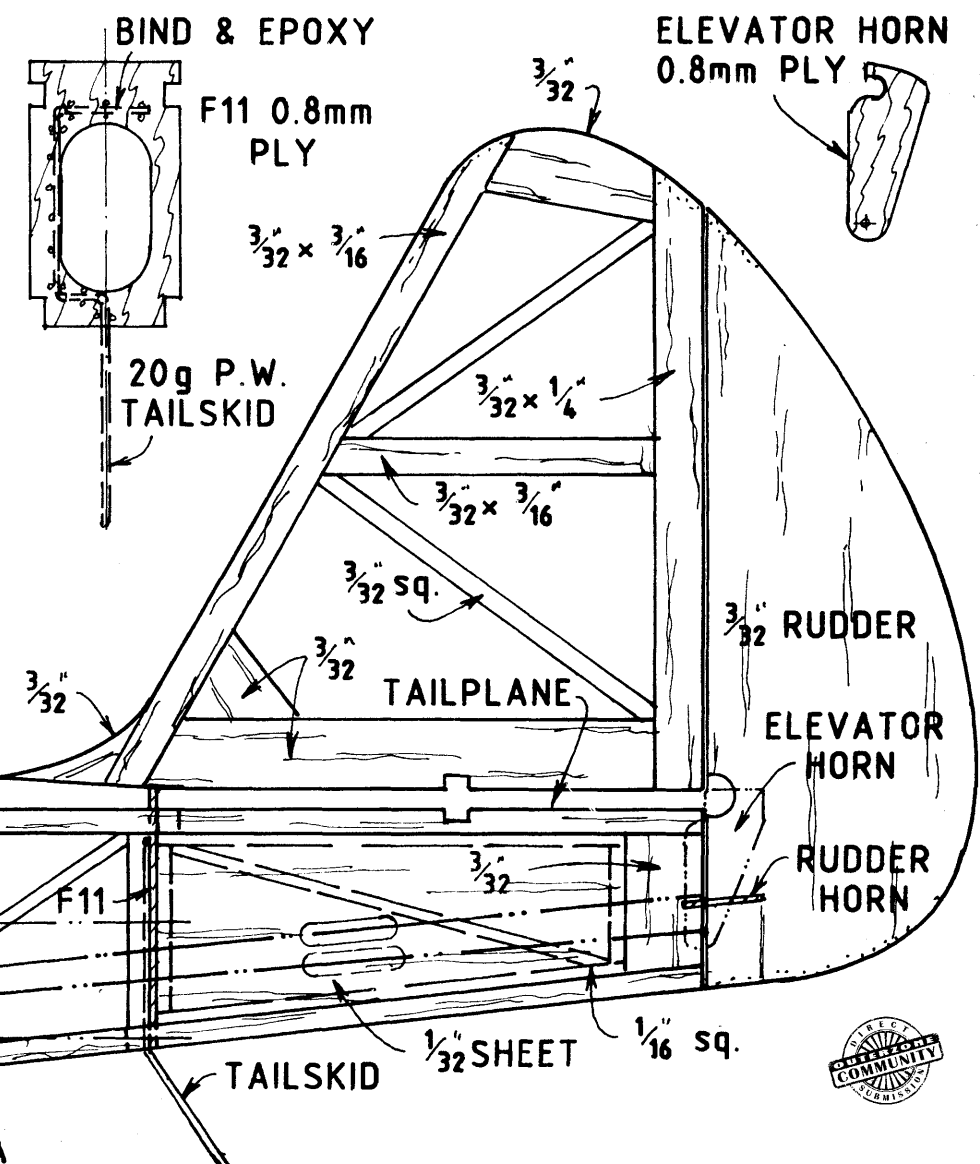
16g PIANOWIRE UNDERCARRIAGE

1/2 WHEELS



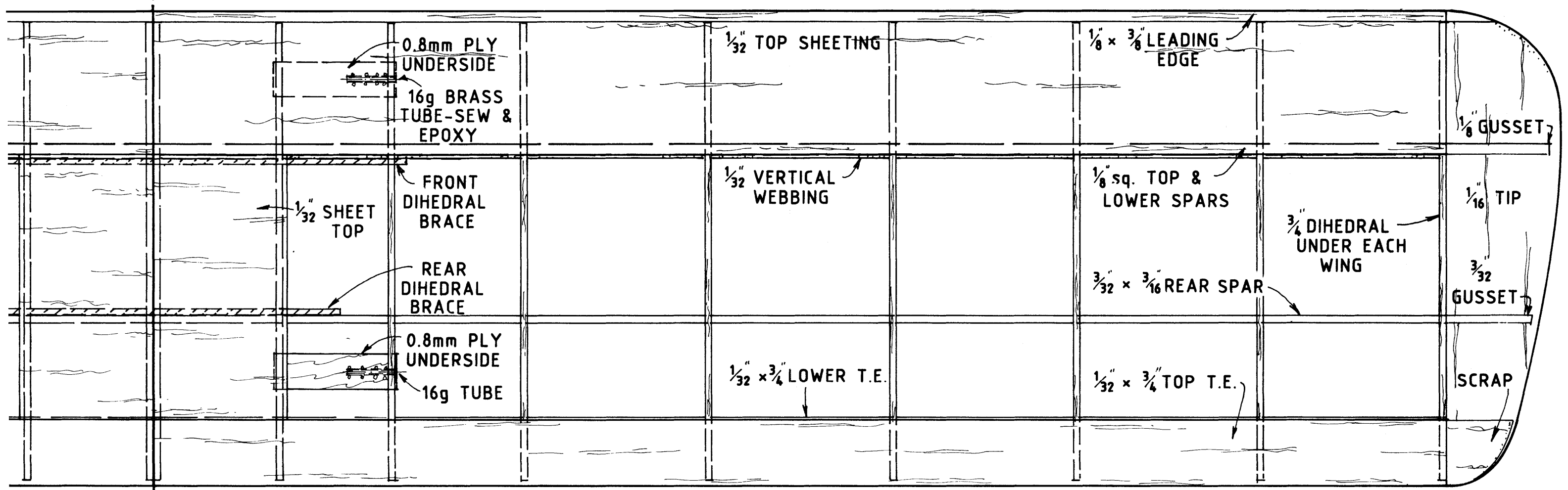
FUSELAGE PLAN VIEW

CUT ALONG DOTTED LINE & JOIN A-A TO B-B.



ELEVATOR HORN 0.8mm PLY





STARBOARD WING

